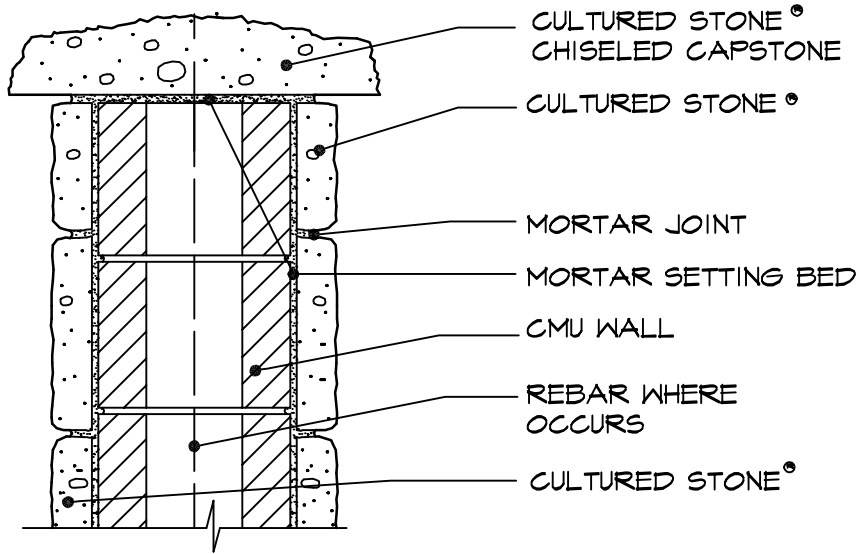
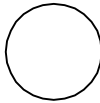


CENTER CAP ON
FINISHED WALL



CULTURED STONE®

16" WIDE CHISELED WALL CAP-CMU WALL

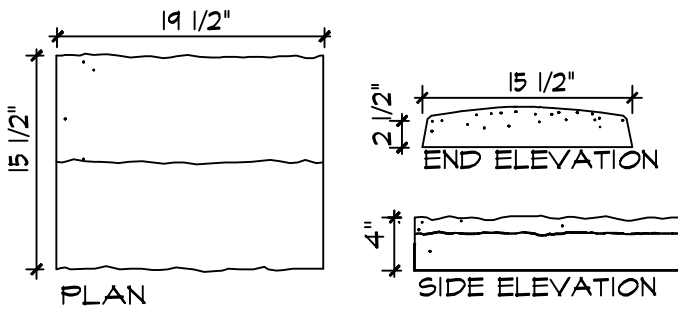


SCALE: 1 1/2" = 1'-0"

COPYRIGHT 2006 Owens Corning

detail is set to display properly using
Architxt.shx font

csd_wc_16capcmu_c
issued 04/21/2006



16" WALL CAP PROFILE